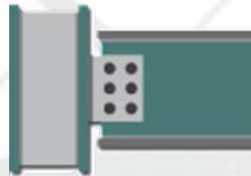


RISA Webinar

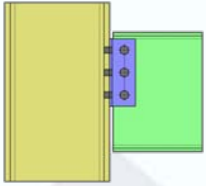


Steel Connection Design Using RISAConnection

Presenter: Matt Brown, P.E.



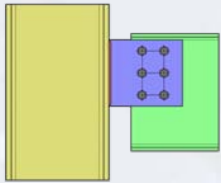
- Overview
- Shear Connections
- Moment Connections
- Design Process
- What's Next?



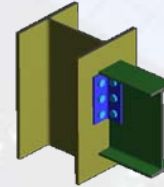
Clip Angles



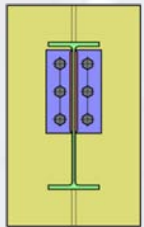
Girders



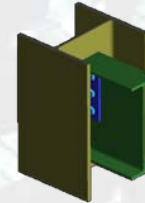
Shear Tabs



Col. Flange

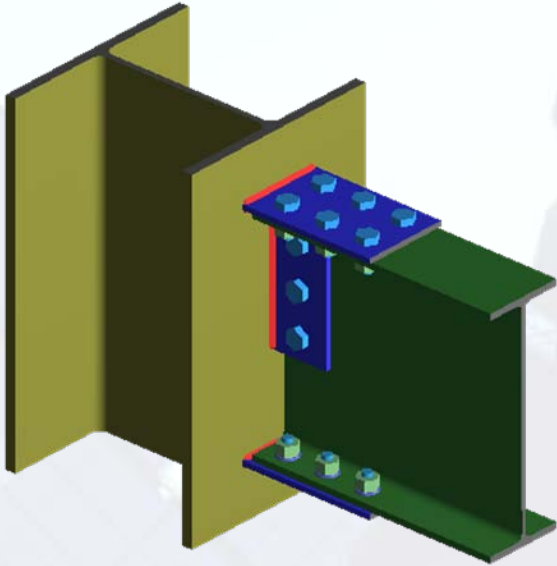


End-Plates

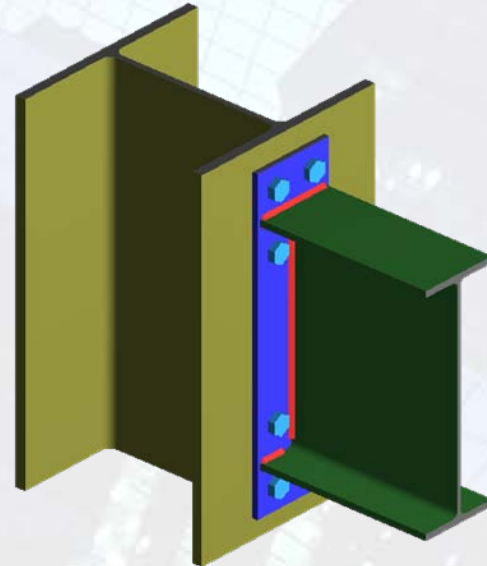


Col. Web

Shear Connections

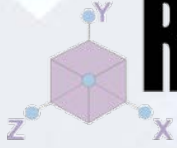


Flange Plate



End-Plate

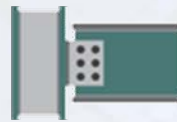
Moment Connections



RISA-3D



RISAFloor



RISAConnection

What's Next?

Additional Resources

- RISACONNECTION Help File
- RISACONNECTION General Reference Manual
- www.risatech.com

Presenter: Matt Brown, P.E.



Questions?

Please let us know if you have questions.

We will answer as many questions as time permits during the webinar.

Once the webinar is closed, we will post all Q&A's, as well as the Quick Reference Guide, to our website: www.risatech.com

For further information, contact us at: info@risatech.com

Thank you for Attending!

